

## ENGINE

Model	Isuzu AM-4JJ1X, Cooled EGR
Emissions Certification	Tier 4 Interim
Fuel	Requires ultra low-sulfur fuel B5 biodiesel tolerant
Type	Water-cooled, 4-cycle, high pressure common rail system. Turbo-charged with air cooled intercooler, DPD system
Cylinders	4-cylinder in-line
Displacement	183 in <sup>3</sup> (3 L)
Bore/Stroke	4 x 4 in (95.4 x 104.9 mm)
Fuel injection	Direct injection – electronic
Fuel filter	Replaceable, full flow spin-on cartridge
Air filter	Dry type element w/ warning restriction indicator
Oil filter	Replaceable, full flow spin-on cartridge
Engine gradeability:	
Side-to-side	35°
Fore and aft	35°
Net horsepower – SAE J1349 @ 2000 RPM:	100 hp (74.9 kW)
Net max. torque – SAE J1349 @ 1600 RPM:	265 lb·ft (359 N·m)
Cooling operating range:	109° to -13° F (43° to -25° C)
Oil	Requires low-ash oil CJ-4

## DRIVETRAIN

Travel control	Dual stage relief/ counter balance design
Brakes	Mechanical disc
Service brakes	SAHR disc – each motor
Two speed travel:	
Max. high speed	3.5 mph (5.6 kph)
Max. low speed	1.7 mph (2.8 kph)
Automatic downshift	
Drawbar pull	26,078 lbf (116 kN)
Gradeability	70% – 35° slope

## ELECTRICAL

Voltage	24 Volts
Alternator rating	50 amp
Batteries	2 x 12 Volt
Battery reserve capacity	72 Ah/5 hour
Work lights	24 Volt
1 boom	70 watt
1 upper	70 watt
2 cab	70 watt

## OPERATOR ENVIRONMENT

Air conditioner output	18,100 BTU/hr
Heater output	20,150 BTU/hr
Sound level – ISO6395 inside cab	70 dBA
Electrical outlet	12 Volt
Cab interior light (1)	10 watt
Rear-view camera (1)	Standard
Seat	Air-suspension

## ATTACHMENT

Boom	15 ft 2 in (4 630 mm)
Arm	8 ft 2 in (2 500 mm)
Bucket digging force*	20,233 lbf (90 kN)
w/ Auto Power-Boost	21,357 lbf (95 kN)

\*Digging force ratings based on ISO6015

## OPERATING WEIGHT

Operating weight	28,600 lb (12 973 kg)
w/ shoes	2 ft 0 in (600 mm)
w/ boom	15 ft 2 in (4 630 mm)
w/ arm	8 ft 2 in (2 500 mm)
w/ bucket	882 lb (400 kg)
w/ counterweight	4,850 lb (2 200 kg)

NOTE: w/ operator/full fuel/standard equipment

## GROUND PRESSURE

@ Standard operating weight	5.1 psi (0.35 bar)
w/ 23.6 in (600 mm) triple semi-grouser shoes	

## HYDRAULICS

System design	Open center
Main pumps	Two variable displacement/ axial piston
Max. rated flow	34.1 gpm (129 L/min)
System pressures:	
Boom, arm & bucket	4,975 psi (343 bar)
w/ Power Boost	5,337 psi (368 bar)
Travel circuits	4,975 psi (343 bar)
Swing circuits	4,046 psi (279 bar)
Pilot pump	1 x gear design
Max. capacity	5.3 gpm (20 L/min)
Controls	w/ boom/arm holding valve
Right track travel, bucket, boom and arm acceleration.	Four-spool section
Left track travel, bucket, boom and arm acceleration.	Five-spool section
Work mode selections	SP: Speed Priority H: Heavy Duty A: Automatic

## HYDRAULICS (cont.)

Swing motor	Fixed displacement axial piston
Swing final drive	Planetary gear reduction
Travel motor	Two-speed independent travel/axial piston

## HYDRAULIC CYLINDERS

Boom cylinders	Two (2)
Cylinder bore	4.1 in (105 mm)
Cylinder rod diameter	2.8 in (70 mm)
Cylinder stroke	37.8 in (961 mm)
Arm cylinder	One (1)
Cylinder bore	4.5 in (115 mm)
Cylinder rod diameter	3.1 in (80 mm)
Cylinder stroke	43.6 in (1 108 mm)
Bucket cylinder	One (1)
Cylinder bore	3.7 in (95 mm)
Cylinder rod diameter	2.6 in (65 mm)
Cylinder stroke	34.7 in (881 mm)

## SERVICE CAPACITIES

Fuel tank	69 gal (260 L)
Hydraulic system	41 gal (157 L)
Hydraulic tank	22 gal (82 L)
Engine oil w/ filter	4 gal (17 L)
Swing drive	2.3 qt (2.2 L)
Final drive – each side	2.2 qt (2.1 L)
Cooling system	4 gal (16.2 L)

## OTHER SPECIFICATIONS

Swing speed	0 – 14.3 RPM
Swing torque	24,340 lb·ft (33 000 N·m)
Swing brake	Mechanical disc
Undercarriage:	
Length	12 ft 4 in (3 760 mm)
Track gauge	6 ft 6 in (1 990 mm)
Carrier rollers	2
Track rollers	7
Shoes – triple grouser	47
Shoe width – std.	2 ft 0 in (600 mm)
Link pitch	7 in (172 mm)
Track:	
Chain	Grease lubricated/strutted
Guides	Single
Adjustment	Hydraulic

# LIFT CAPACITIES

**8 ft 2 in (2.50 m)** Lift capacities using a 900 lb (408 kg) bucket, 4,850 lb (2 200 kg) counterweight.

Load (Lift Point Height)	5 ft (1.5 m)		10 ft (3 m)		15 ft (4.5 m)		20 ft (6 m)		25 ft (7.5 m)		MAXIMUM REACH		
	END	SIDE	END	SIDE	END	SIDE	END	SIDE	END	SIDE	@	END	SIDE
+25 ft (7.5 m)					4,050 lb (1 837 kg)	4,050 lb (1 837 kg)					16 ft 7 in (5.05 m)	3,250 lb (1 474 kg)	3,250 lb (1 474 kg)
+20 ft (6 m)					5,900 lb (2 676 kg)	5,900 lb (2 676 kg)	4,950 lb (2 245 kg)	4,750 lb (2 155 kg)			21 ft 9 in (6.63 m)	2,700 lb (1 225 kg)	2,700 lb (1 225 kg)
+15 ft (4.5 m)					6,400 lb (2 903 kg)	6,400 lb (2 903 kg)	6,100 lb (2 767 kg)	4,700 lb (2 132 kg)			24 ft 7 in (7.49 m)	2,550 lb (1 157 kg)	2,550 lb (1 157 kg)
+10 ft (3 m)			11,550 lb (5 239 kg)	11,550 lb (5 239 kg)	8,600 lb (3 901 kg)	7,250 lb (3 289 kg)	6,950 lb (3 152 kg)	4,500 lb (2 041 kg)	4,750 lb (2 155 kg)	3,000 lb (1 361 kg)	26 ft 0 in (7.92 m)	2,550 lb (1 157 kg)	2,550 lb (1 157 kg)
+5 ft (1.5 m)			16,800 lb (7 620 kg)	12,700 lb (5 761 kg)	10,700 lb (4 853 kg)	6,700 lb (3 039 kg)	6,700 lb (3 039 kg)	4,250 lb (1 928 kg)	4,650 lb (2 109 kg)	2,850 lb (1 293 kg)	26 ft 4 in (8.03 m)	2,700 lb (1 225 kg)	2,600 lb (1 179 kg)
Groundline	5,650 lb (2 563 kg)	5,650 lb (2 563 kg)	18,450 lb (8 369 kg)	11,700 lb (5 307 kg)	10,300 lb (4 672 kg)	6,300 lb (2 858 kg)	6,500 lb (2 948 kg)	4,000 lb (1 814 kg)	4,550 lb (2 064 kg)	2,800 lb (1 270 kg)	25 ft 7 in (7.80 m)	3,000 lb (1 361 kg)	2,700 lb (1 225 kg)
-5 ft (-1.5 m)	11,200 lb (5 080 kg)	11,200 lb (5 080 kg)	20,200 lb (9 163 kg)	11,600 lb (5 262 kg)	10,100 lb (4 581 kg)	6,100 lb (2 767 kg)	6,350 lb (2 880 kg)	3,900 lb (1 769 kg)			23 ft 9 in (7.24 m)	3,600 lb (1 633 kg)	3,000 lb (1 361 kg)
-10 ft (-3 m)	17,700 lb (8 029 kg)	17,700 lb (8 029 kg)	18,550 lb (8 414 kg)	11,850 lb (5 375 kg)	10,200 lb (4 627 kg)	6,200 lb (2 812 kg)	6,500 lb (2 948 kg)	4,050 lb (1 837 kg)			20 ft 7 in (6.27 m)	4,900 lb (2 223 kg)	3,850 lb (1 746 kg)
-15 ft (-4.5 m)			13,800 lb (6 260 kg)	12,150 lb (5 511 kg)	8,250 lb (3 742 kg)	6,450 lb (2 926 kg)					15 ft 4 in (4.67 m)	7,800 lb (3 538 kg)	6,200 lb (2 812 kg)

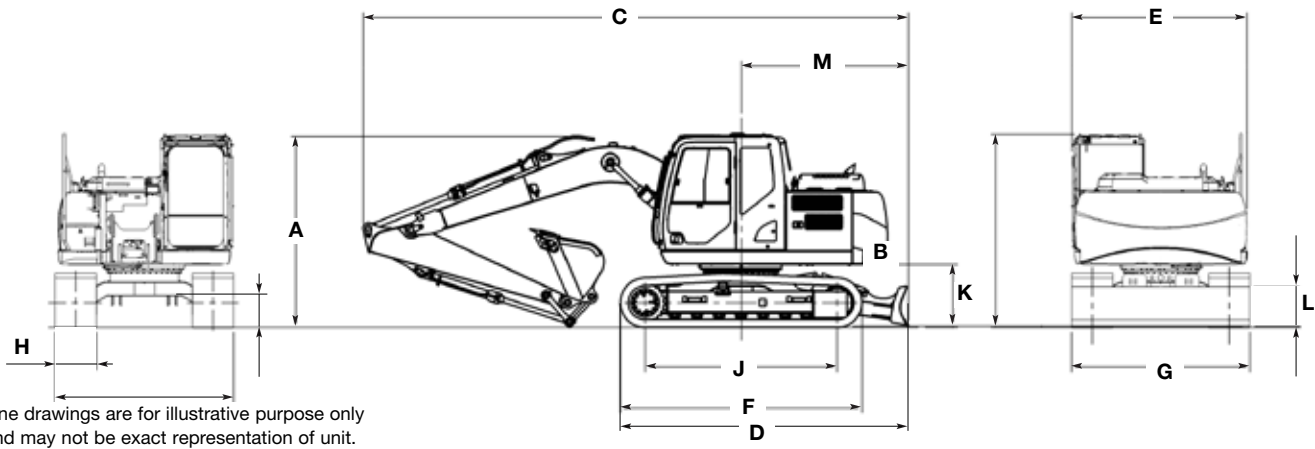
**9 ft 10 in (3.01 m)** Lift capacities using a 750 lb (340 kg) bucket, 4,850 lb (2 200 kg) counterweight.

Load (Lift Point Height)	0 ft (0 m)		5 ft (1.5 m)		10 ft (3 m)		15 ft (4.5 m)		20 ft (6 m)		25 ft (7.5 m)		MAXIMUM REACH		
	END	SIDE	END	SIDE	END	SIDE	END	SIDE	END	SIDE	END	SIDE	@	END	SIDE
+25 ft (7.5 m)													19 ft 1 in (5.82 m)	3,100 lb (1 406 kg)	3,100 lb (1 406 kg)
+20 ft (6 m)									4,900 lb (2 223 kg)	4,900 lb (2 223 kg)			23 ft 7 in (7.19 m)	2,700 lb (1 225 kg)	2,700 lb (1 225 kg)
+15 ft (4.5 m)									5,800 lb (2 631 kg)	4,850 lb (2 200 kg)	4,200 lb (1 905 kg)	3,150 lb (1 429 kg)	26 ft 3 in (8.00 m)	2,550 lb (1 157 kg)	2,550 lb (1 157 kg)
+10 ft (3 m)							7,500 lb (3 402 kg)	7,300 lb (3 311 kg)	6,550 lb (2 971 kg)	4,600 lb (2 087 kg)	4,850 lb (2 200 kg)	3,050 lb (1 383 kg)	27 ft 7 in (8.41 m)	2,550 lb (1 157 kg)	2,500 lb (1 134 kg)
+5 ft (1.5 m)					14,450 lb (6 554 kg)	13,100 lb (5 942 kg)	10,200 lb (4 627 kg)	6,850 lb (3 107 kg)	6,800 lb (3 084 kg)	4,300 lb (1 950 kg)	4,700 lb (2 132 kg)	2,900 lb (1 315 kg)	27 ft 10 in (8.48 m)	2,700 lb (1 225 kg)	2,350 lb (1 066 kg)
Groundline			5,850 lb (2 654 kg)	5,850 lb (2 654 kg)	18,650 lb (8 459 kg)	11,800 lb (5 352 kg)	10,350 lb (4 695 kg)	6,300 lb (2 858 kg)	6,500 lb (2 948 kg)	4,050 lb (1 837 kg)	4,550 lb (2 064 kg)	2,800 lb (1 270 kg)	27 ft 2 in (8.28 m)	3,000 lb (1 361 kg)	2,400 lb (1 089 kg)
-5 ft (-1.5 m)	8,400 lb (3 810 kg)	8,400 lb (3 810 kg)	10,200 lb (4 627 kg)	10,200 lb (4 627 kg)	20,100 lb (9 117 kg)	11,450 lb (5 194 kg)	10,050 lb (4 559 kg)	6,050 lb (2 744 kg)	6,350 lb (2 880 kg)	3,900 lb (1 769 kg)	4,500 lb (2 041 kg)	2,750 lb (1 247 kg)	25 ft 5 in (7.75 m)	3,500 lb (1 588 kg)	2,700 lb (1 225 kg)
-10 ft (-3 m)	11,200 lb (5 080 kg)	11,200 lb (5 080 kg)	15,100 lb (6 849 kg)	15,100 lb (6 849 kg)	19,300 lb (8 754 kg)	11,600 lb (5 262 kg)	10,050 lb (4 559 kg)	6,100 lb (2 767 kg)	6,400 lb (2 903 kg)	3,950 lb (1 792 kg)			22 ft 6 in (6.86 m)	4,600 lb (2 087 kg)	3,300 lb (1 497 kg)
-15 ft (-4.5 m)			24,050 lb (10 909 kg)	24,050 lb (10 909 kg)	15,800 lb (7 167 kg)	12,050 lb (5 466 kg)	10,150 lb (4 604 kg)	6,450 lb (2 926 kg)					17 ft 9 in (5.41 m)	7,400 lb (3 357 kg)	4,850 lb (2 200 kg)

# LIFT CAPACITIES

6 ft 10 in (2.11 m) Lift capacities using a 900 lb (408 kg) bucket, 4,850 lb (2 200 kg) counterweight.

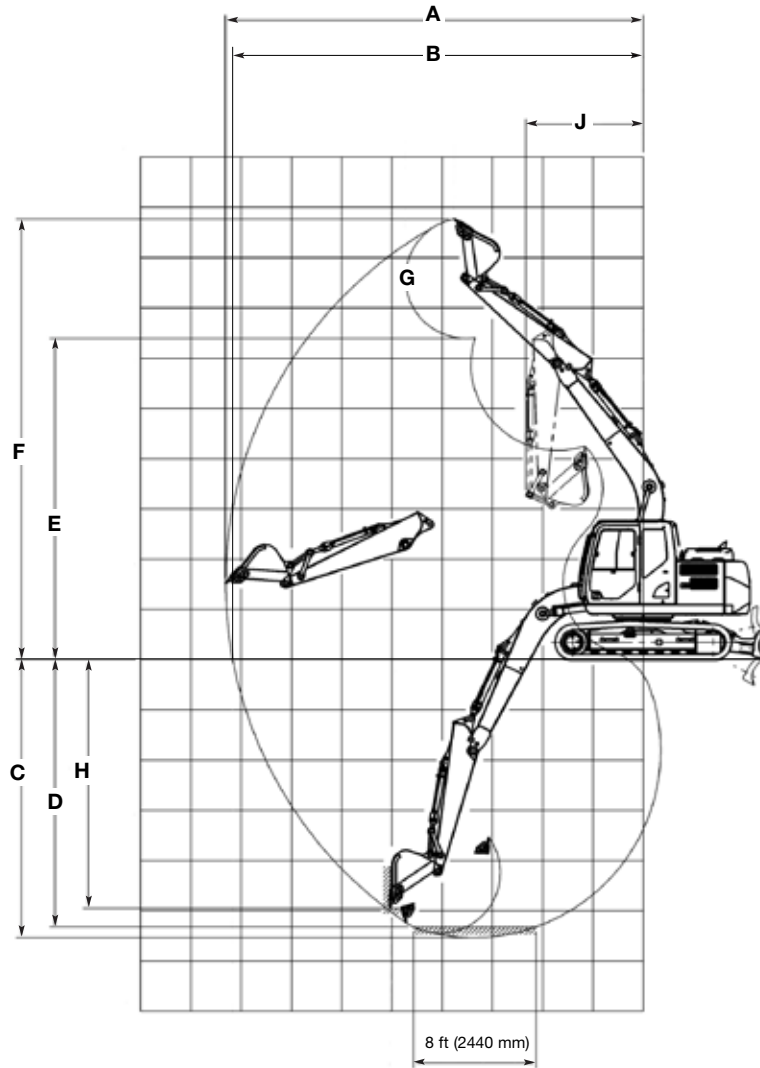
Load (Lift Point Height)	5 ft (1.5 m)		10 ft (3 m)		15 ft (4.5 m)		20 ft (6 m)		25 ft (7.5 m)		MAXIMUM REACH		
	END	SIDE	END	SIDE	END	SIDE	END	SIDE	END	SIDE	@	END	SIDE
+25 ft (7.5 m)											14 ft 6 in (4.42 m)	4,000 lb (1 814 kg)	4,000 lb (1 814 kg)
+20 ft (6 m)					6,300 lb (2 858 kg)	6,300 lb (2 858 kg)	4,050 lb (1 837 kg)	4,050 lb (1 837 kg)			20 ft 3 in (6.17 m)	3,300 lb (1 497 kg)	3,300 lb (1 497 kg)
+15 ft (4.5 m)					7,150 lb (3 243 kg)	7,150 lb (3 243 kg)	6,550 lb (2 971 kg)	4,550 lb (2 064 kg)			23 ft 4 in (7.11 m)	3,050 lb (1 383 kg)	3,050 lb (1 383 kg)
+10 ft (3 m)			12,350 lb (5 602 kg)	12,350 lb (5 602 kg)	9,250 lb (4 196 kg)	7,050 lb (3 198 kg)	6,850 lb (3 107 kg)	4,350 lb (1 973 kg)			24 ft 10 in (7.57 m)	3,050 lb (1 383 kg)	2,900 lb (1 315 kg)
+5 ft (1.5 m)			17,400 lb (7 893 kg)	12,250 lb (5 557 kg)	10,600 lb (4 808 kg)	6,550 lb (2 971 kg)	6,600 lb (2 994 kg)	4,150 lb (1 882 kg)	3,950 lb (1 792 kg)	2,800 lb (1 270 kg)	25 ft 2 in (7.67 m)	3,200 lb (1 451 kg)	2,750 lb (1 247 kg)
Groundline			16,800 lb (7 620 kg)	11,450 lb (5 194 kg)	10,150 lb (4 604 kg)	6,150 lb (2 790 kg)	6,400 lb (2 903 kg)	3,950 lb (1 792 kg)			24 ft 5 in (7.44 m)	3,550 lb (1 610 kg)	2,850 lb (1 293 kg)
-5 ft (-1.5 m)	12,100 lb (5 488 kg)	12,100 lb (5 488 kg)	19,850 lb (9 004 kg)	11,550 lb (5 239 kg)	10,050 lb (4 559 kg)	6,050 lb (2 744 kg)	6,350 lb (2 880 kg)	3,900 lb (1 769 kg)			22 ft 6 in (6.86 m)	4,300 lb (1 950 kg)	3,250 lb (1 474 kg)
-10 ft (-3 m)	18,600 lb (8 437 kg)	18,600 lb (8 437 kg)	17,500 lb (7 938 kg)	11,850 lb (5 375 kg)	10,200 lb (4 627 kg)	6,250 lb (2 835 kg)					19 ft 1 in (5.82 m)	6,000 lb (2 722 kg)	4,300 lb (1 950 kg)
-15 ft (-4.5 m)											11 ft 7 in (3.53 m)	9,800 lb (4 445 kg)	9,500 lb (4 309 kg)



## DIMENSIONS

	8 ft 2 in (2.50 m) Arm	9 ft 10 in (3.01 m) Arm	6 ft 10 in (2.11 m) Arm
A. Overall height with attachment	9 ft 3 in (2 830 mm)	9 ft 3 in (2 830 mm)	9 ft 3 in (2 830 mm)
B. Cab height	9 ft 3 in (2 830 mm)	9 ft 3 in (2 830 mm)	9 ft 3 in (2 830 mm)
C. Overall length with attachment	25 ft 0 in (7 620 mm)	25 ft 0 in (7 610 mm)	25 ft 0 in (7 610 mm)
D. Overall length without attachment	13 ft 2 in (4 010 mm)	13 ft 2 in (4 010 mm)	13 ft 2 in (4 010 mm)
E. Width of upper structure	8 ft 4 in (2 540 mm)	8 ft 4 in (2 540 mm)	8 ft 4 in (2 540 mm)
F. Track overall length	12 ft 4 in (3 760 mm)	12 ft 4 in (3 760 mm)	12 ft 4 in (3 760 mm)
G. Track overall width with 23.6 in (600 mm) shoes	8 ft 6 in (2 590 mm)	8 ft 6 in (2 590 mm)	8 ft 6 in (2 590 mm)
H. Track shoe width	2 ft 0 in (600 mm)	2 ft 0 in (600 mm)	2 ft 0 in (600 mm)
J. Center to center – idler to sprocket	10 ft 0 in (3 040 mm)	10 ft 0 in (3 040 mm)	10 ft 0 in (3 040 mm)
K. Upper structure ground clearance	2 ft 11 in (900 mm)	2 ft 11 in (900 mm)	2 ft 11 in (900 mm)
L. Minimum ground clearance	1 ft 5 in (440 mm)	1 ft 5 in (440 mm)	1 ft 5 in (440 mm)
M. Rear tail swing radius	7 ft 0 in (2 130 mm)	7 ft 0 in (2 130 mm)	7 ft 0 in (2 130 mm)
Operating weight*	28,600 lb (12 973 kg)	28,911 lb (13 114 kg)	28,499 lb (12 927 kg)
Ground pressure	4.8 psi (0.33 bar)	4.8 psi (0.33 bar)	4.8 psi (0.33 bar)

\*With 23.6 in (600 mm) track shoe, 880 lb (400 kg) bucket, 165 lb (75 kg) operator, full fuel and standard equipment.



**PERFORMANCE SPECS**

	<b>8 ft 2 in (2.50 m) Arm</b>	<b>9 ft 10 in (3.01 m) Arm</b>	<b>6 ft 10 in (2.11 m) Arm</b>
<b>A.</b> Maximum dig radius	27 ft 3 in (8 310 mm)	28 ft 9 in (8 770 mm)	26 ft 1 in (7 960 mm)
<b>B.</b> Dig radius at groundline	26 ft 10 in (8 170 mm)	28 ft 4 in (8 640 mm)	25 ft 7 in (7 810 mm)
<b>C.</b> Maximum dig depth	18 ft 2 in (5 540 mm)	19 ft 10 in (6 050 mm)	16 ft 11 in (5 150 mm)
<b>D.</b> Dig depth – 8 ft 0 in (2.44 m) level bottom	17 ft 6 in (5 330 mm)	19 ft 3 in (5 870 mm)	16 ft 1 in (4 910 mm)
<b>E.</b> Dump height	21 ft 0 in (6 390 mm)	21 ft 11 in (6 680 mm)	20 ft 3 in (6 170 mm)
<b>F.</b> Maximum reach height	28 ft 9 in (8 770 mm)	29 ft 8 in (9 050 mm)	28 ft 1 in (8 550 mm)
<b>G.</b> Bucket rotation	178°	178°	178°
<b>H.</b> Maximum vertical wall dig depth	16 ft 3 in (4 950 mm)	17 ft 7 in (5 350 mm)	15 ft 1 in (4 600 mm)
<b>J.</b> Minimum swing radius	7 ft 8 in (2 340 mm)	8 ft 9 in (2 660 mm)	7 ft 9 in (2 360 mm)
Arm digging force:			
Standard	13,938 lb (62 kN)	12,589 lb (56 kN)	15,737 lb (70 kN)
Power Boost	14,837 lb (66 kN)	13,489 lb (60 kN)	16,636 lb (74 kN)
Bucket digging force:			
Standard	20,233 lb (90 kN)	20,233 lb (90 kN)	20,233 lb (90 kN)
Power Boost	21,357 lb (95 kN)	21,357 lb (95 kN)	21,357 lb (95 kN)

## STANDARD EQUIPMENT

### ENGINE

Isuzu four-cylinder turbo-charged diesel  
Certified Tier 4 Interim (CEGR)  
Electronic fuel injection  
High pressure common rail system  
Diesel Particulate Defuser system (DPD)  
Neutral safety start  
Auto-engine warm up  
Glow-plug pre-heat  
EPF (Engine Protection Feature)  
Dual-stage fuel filtration  
Dual element air filter  
Remote oil filter  
Green plug oil drain  
500-hour engine oil change interval  
24-volt system  
Requires CJ-4 engine oil  
Requires ultra low-sulfur fuel

### FUEL ECONOMY SYSTEMS

Engine idle / Fuel economy system:  
Auto-idle  
One-touch idle  
Idle shut-down  
BEC – boom economy control  
AEC – auto economy control  
SWC – swing relief control  
SSC – spool stroke control

### HYDRAULICS

Auto power boost  
Auto swing priority  
Auto travel speed change

## OPTIONAL EQUIPMENT

### HYDRAULICS

Auxiliary hydraulics:  
Single acting / joystick activated  
Double acting / joystick activated  
Multi-function / joystick activated  
Secondary low-flow / joystick activated

### ATTACHMENT

Standard arm – 9 ft 10 in (3.01 m)  
Heavy-duty arm – 6 ft 10 in (2.11 m)  
Coupler / Case multi-pin grabber  
Buckets:  
Heavy duty  
Extreme duty  
Load holding control  
Free swing (order kit through Service Parts)  
Hose Burst Check Valve (HBCV)

## BUCKETS

Application	Width	SAE Heaped Capacity
Heavy-duty	18 in to 48 in (0.46 m to 1.22 m)	0.32 yd <sup>3</sup> to 0.96 yd <sup>3</sup> (0.25 m <sup>3</sup> to 0.74 m <sup>3</sup> )
High capacity heavy-duty	18 in to 48 in (0.46 m to 1.22 m)	0.36 yd <sup>3</sup> to 1.12 yd <sup>3</sup> (0.28 m <sup>3</sup> to 0.86 m <sup>3</sup> )
Coupler	18 in to 48 in (0.46 m to 1.22 m)	0.32 yd <sup>3</sup> to 0.96 yd <sup>3</sup> (0.25 m <sup>3</sup> to 0.74 m <sup>3</sup> )
Ditching	48 in or 60 in (1.22 m or 1.52 m)	0.79 yd <sup>3</sup> or 1.02 yd <sup>3</sup> (0.60 m <sup>3</sup> or 0.78 m <sup>3</sup> )

## HYDRAULICS (continued)

Selectable work modes  
ISO pattern controls  
Pre-set auxiliary pump settings  
Auxiliary valve  
5,000-hour hydraulic oil change interval  
1,000-hour hydraulic filter change interval  
SAHR brake

### UPPER STRUCTURE

Right and left side mirrors  
Isolation mounted cab (fluid and spring)  
Common key vandal locks  
Upper mounted work light (70 watt)  
Swivel guard belly pan

### UNDERCARRIAGE

23.6 in (600 mm) steel shoes,  
triple semi-grouser  
Full overlap turntable bearing tub  
Hydraulic track adjustment  
X-pattern carbody

### ATTACHMENT

Boom – 15 ft 2 in (4.63 m)  
Arm – 8 ft 2 in (2.50 m)  
Heavy-duty bucket linkage  
Boom mounted work light (70 watt)  
Auxiliary pipe brackets  
Centralized grease fittings  
Attachment cushion valve  
Arm and boom regeneration

## OPERATOR STATION

ROPS protection  
FOPS cab top guard (Level 1)  
Pressurized cab  
One-touch lock front window  
AC / heat / defrost w/ auto climate control  
Color monitor (7 in / 180 mm)  
Interior dome light  
Air-suspension seat (cloth)  
Seatbelt (3 in)  
Adjustable armrests  
Tilting consoles – 4-position  
Low-effort joystick controls  
Sliding cockpit (7 in / 180 mm)  
Straight travel  
AM/FM radio w/ antenna and 2 speakers  
Aux-in port for personal electronics  
Rear-view camera  
Anti-theft system (start code system)  
Rubber floor mat  
12-volt electric socket  
24-volt cigarette lighter  
External rearview mirrors  
Windshield wiper / washer  
Clear (polycarbonate) roof window w/ sunshade  
Cup holder  
Storage compartments  
On-board diagnostic system  
Travel alarm with cancel switch  
One key start & lock-up

### TELEMATICS

CASE SiteWatch™ Telematics – includes  
hardware and a 3-yr Advanced  
data subscription

## OPERATOR STATION

Control pattern selector  
FOPS cab top guard (Level 2)  
Front grill guard – 2 x 2 screen mesh  
Front rock guard – vertical bars  
(two piece) / OPG 1  
Front rock guard – vertical bars  
(fixed / one piece) / OPG 2  
Vandal guard  
Rain deflector  
Sun visor  
Side-view camera  
Refueling pump

## UNDERCARRIAGE

23.6 in (600 mm) steel shoes,  
triple semi-grouser  
27.6 in (700 mm) steel shoes,  
triple semi-grouser  
20.0 in (500 mm) rubber shoes  
Double track chain guides

**This page intentionally left blank.**



NOTE: All specifications are stated in accordance with SAE Standards or Recommended Practices, where applicable.

NOTE: All engines meet current EPA emissions requirements.

IMPORTANT: Case Construction Equipment Inc. reserves the right to change these specifications without notice and without incurring any obligation relating to such change. Case Construction Equipment Inc. does not warrant the safety or reliability of attachments from other manufacturers.

CASE is a trademark registered in the United States and many other countries, owned by or licensed to CNH Industrial N.V., its subsidiaries or affiliates. CNH Industrial Capital is a trademark in the United States and many other countries, owned by or licensed to CNH Industrial N.V., its subsidiaries or affiliates.



[www.casece.com](http://www.casece.com)

